



SURE STAR COMPUTER CO., LTD 添誠資訊股份有限公司
<http://www.surestar.com.tw> Tel: +886 2 2682 2505
E-mail: info@surestar.com.tw Fax: +886 2 2682 2515
NO.2-1, DAAN ROAD, SHULIN .DIST., NEW TAIPEI CITY 238, TAIWAN

SPECIFICATION

Model Name :

RA2 series

Description :

400W、500W、600W、700W、800W、900W、1000W 2U Redundant Power Supply

Version : A1

Issued Date : 20240221



1. General Description

This specification defines the characteristic of 1 + 1 redundant power supply with 2 Unit high. And **SURE STAR** model name is RA2-G400VP for 400W 、RA2-G500VP for 500W 、RA2-G600VP for 600W 、RA2-G700VP for 700W 、RA2-G800VP for 800W 、RA2-G900VP for 900W 、RA2-G1K0VP for 1000W output.

2. Input Characteristic

2.1. Input connector

The input connector shall be an IEC60320 C14 inlet, rated for 15A/250Vac.

2.2. Input Voltage and Frequency

Minimum	Nominal	Maximum	Measure
90	100~240	264	Vac
47	50~60	63	Hz

2.3. Input Current and Inrush Current

Input Voltage	Max. Input Current	Inrush Current
115Vac	13A	30A
230Vac	6A	60A

2.4. Power Factor

The minimum power factor shall be 0.9 with 50% load and input 230Vac/50Hz.

3. Output Characteristic

3.1. DC Output Characteristic

Output Voltage	Min. Current	Max. Current	Regulation	Ripple & Noise
+3.3V	1A	25A	±5%	50mV
+5V	1A	25A	±5%	50mV
+12V	1A	33/41/50/58/66.5/75/83A	±5%	120mV
-12V	0A	0.8A	±5%	120mV
+5VSB	0.1A	3.5A	±5%	50mV

Note : 1. The combined power from +3.3V and +5V shall not exceed 170W.

2. The max total power shall not exceed 400W/500W/600W/700W/800W/900W/1000W.

3. Ripple and noise bandwidth is set to 20MHz.

4. Add a 0.1uF ceramic capacitor in parallel with a 10uF tantalum capacitor at output connector terminals for ripple and noise measurement.



3.2. Efficiency

The power efficiency shall meet 80plus GOLD.

3.3. Hold up Time

The output voltages stay in regulation at least 18ms with 80% load after loss of AC input.

3.4. Rise Time

The output voltages rise from 10% to 90% with full load shall be in 5ms to 70ms.

3.5. Dynamic Loading

The output voltages shall remain in regulation for the step loading, and in the limits for the capacitive loading specified below :

<i>Output</i>	<i>Step Load Size</i>	<i>Load Slew Rate</i>	<i>Capacitive Load</i>
+3.3V	30% of max load	0.5A / μ sec	1000uF
+5V	30% of max load	0.5A / μ sec	1000uF
+12V	65% of max load	0.5A / μ sec	2200uF
+5VSB	25% of max load	0.5A / μ sec	1uF

3.6. PSON Remote on/off Control

The PSON signal is required to remotely turn on/off the power supply.

PSON is an active low TTL compatible signal that turns on the main power rails.

	<i>PSU On</i>	<i>PSU Off</i>
PSON Signal	LOW (0.8V max.)	HI (2V min.)

3.7. Power Good Signal

Power Good, also called PG or PWOK, is an active high TTL compatible signal.

PG signal is to indicate that all output voltages are in regulation and ready for use.

Below is for a representation of the timing characteristics of PG signal.

Power Good on delay time	100ms to 500ms
Power Good off delay time	1ms (min.)



4. Protection

4.1. Over Current Protection

<i>Output</i>	<i>Min.</i>	<i>Max.</i>	<i>Comment</i>
+3.3V	110%	150%	PSU shutdown
+5V	110%	150%	PSU shutdown
+12V	110%	150%	PSU shutdown

4.2. Over Voltage Protection

<i>Output</i>	<i>Min.</i>	<i>Max.</i>	<i>Comment</i>
+3.3V	3.9V	4.5V	PSU shutdown
+5V	5.7V	6.5V	PSU shutdown
+12V	13.3V	14.5V	PSU shutdown

4.3. Short Circuit Protection

<i>Output</i>	<i>Comment</i>
+3.3V	PSU shutdown
+5V	PSU shutdown
+12V	PSU shutdown

4.4. Over Temperature Protection

The power supply would be protected against over temperature condition by loss of cooling or excessive ambient temperature. The PSU will shutdown in an OTP condition.



5. Power System Signal Status

5.1. Buzzer Status

<i>Power Supply Condition</i>	<i>Buzzer Status</i>
No input power to PSU	OFF
Input present/ only standby output on	OFF
Power supply outputs ON and OK	OFF
Power supply failure	Beeping

5.2. LED Indicator

<i>Power Supply Condition</i>	<i>Module LED</i>
No input power to PSU	OFF
Input present/ only standby output on	Red
Power supply outputs ON and OK	Green
Power supply failure	Red

5.3. TTL Signal

<i>Power Supply Condition</i>	<i>Output Condition</i>	
	<i>Min.</i>	<i>Max.</i>
Normal (Power Supply ON)	3V	5.25V
Failure (Power Supply OFF)	0V	1V

6. Insulation

6.1. Dielectric Withstand Voltage

Primary to Ground	1500Vac (10mA) for 1 second
-------------------	-----------------------------

6.2. Leakage Current

Leakage current is 3.5mA maximum at 240Vac/50Hz.

7. Safety

CB、CE、TUV、UL。

Please visit our website and get the latest safety certificate.



SURE STAR COMPUTER CO., LTD 添誠資訊股份有限公司
<http://www.surestar.com.tw> Tel:+886 2 2682 2505
E-mail:info@surestar.com.tw Fax:+886 2 2682 2515
NO.2-1, DAAN ROAD, SHULIN .DIST., NEW TAIPEI CITY 238, TAIWAN

8. EMC

CE 、 FCC ◦ (Class A)

Please visit our website and get the latest EMC certificate.

9. Environmental Requirement

9.1. Temperature

Operating : 0°C to +45°C.

Non-Operating : -20°C to +70°C.

9.2. Humidity

Operating : 20% to 90% , non-condensing.

Non-Operating : 5% to 95% , non-condensing.

9.3. Altitude

Operating : Up to 5000m.

9.4. Cooling Method

By DC fan.

10. Reliability

10.1. MTBF

Using MIL - HDBK -217F the calculated MTBF > 100,000 hours at 25°C.



11. PMBus

11.1. PMBus communication

The PMBus serial bus communication devices for I2C data in the power supply shall be compatible with both SMBus 2.0 “high power” and I2C Vdd based power and drive.

This bus shall operate at 3.3V but tolerant of 5V signaling.

The SMBus pull-ups are located on the motherboard and may be connected to 3.3V or 5V.

Two pins are allocated on the power supply. One pin is the serial clock (SMBus_SCL).

The second pin is used for serial data (SMBus_SDA).

Both pins are bi-directional and are used to form a serial bus.

The device(s) in the power supply shall be located at an address(s) determined by addressing pins A0 and A1 on the power supply module.

The circuits inside the power supply shall derive their power from the 5VSB bus.

Device(s) shall be powered from the system side of the 5VSB device.

No pull-up resistors shall be on SCL or SDA inside the power supply.

There pull-up resistors should be located external to the power supply.

11.2. Power supply management interface

The device in the power supply shall derive its power off of the 5VSB output on the system side.

It shall be located at an address set by the A0 and A1 pins.

Refer to the PMBus specification posted on the www.powerSIG.org website for details on the power supply monitoring interface requirements.

I2C is a SMBus interface used to communicate power management information to the system.

11.3. Power supply management interface address

Device address locations

	<i>M1</i>	<i>M2</i>
Device Address	B0h	B2h



SURE STAR COMPUTER CO., LTD 添誠資訊股份有限公司

<http://www.surestar.com.tw> Tel: +886 2 2682 2505

E-mail: info@surestar.com.tw Fax: +886 2 2682 2515

NO.2-1, DAAN ROAD, SHULIN .DIST., NEW TAIPEI CITY 238, TAIWAN

11.4. PMBus command code summary

PMBus version 1.2 specification shall be used for the communication with system.

<i>Command code</i>	<i>Command Name</i>	<i>SMBus Transaction Type</i>	<i>Number of Data Bytes</i>
19H	CAPABILITY	READ BYTE	1
1AH	QUERY	READ BYTE	1
20H	VOUT_MODE	READ BYTE	1
88H	READ_ACV_IN	READ WORD	2
89H	READ_ACI_IN	READ WORD	2
8BH	READ_VOUT	READ WORD	2
8CH	READ_IOUT	READ WORD	2
8DH	READ_TEMPERATURE_1	READ WORD	2
90H	READ_FAN1_SPEED	READ WORD	2
91H	READ_FAN2_SPEED	READ WORD	2
96H	READ_POUT	READ WORD	2
97H	READ_PIN	READ WORD	2
98H	PMBus_VERSION	READ BYTE	1

(Data Byte Type ASCII Code or HEX Code)

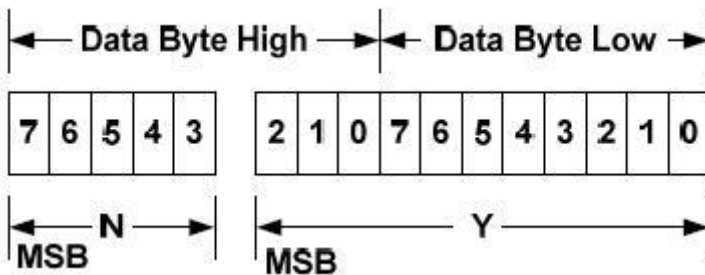


11.5. Data format

The Linear Data Format is a two byte value with:

An 11 bit, two's complement mantissa and A 5 bit, two's complement exponent (scaling factor).

The format of the two data bytes is shown below.



The relation between Y, N and the “real world” value is:

$$X = Y \cdot 2^N$$

Where, as described above:

X is the “real world” value;

Y is an 11 bit, two's complement integer; and

N is a 5 bit, two's complement integer.

Devices that use the Linear format must accept and be able to process any value of N.

11.6. VOUT_MODE command

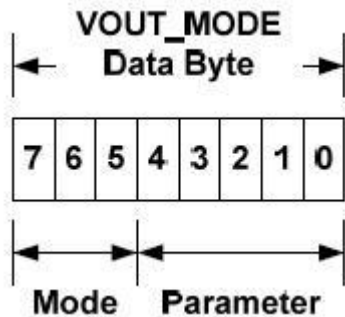
The data byte for the VOUT_MODE command is one byte that consists of a three bit Mode and a five bit Parameter as shown below.

The three bit Mode sets whether the device uses the Linear, VID or Direct modes for output voltage related commands. The five bit Parameter provides more information about the selected mode, such as which manufacturer's VID codes are being used.

Sending the VOUT_MODE command with the address set for writing sets the Mode and Parameter into the PMBus device, if it accepts changes to these values.

PMBus devices may have the Mode and Parameter set at the time of manufacture and may not permit the user to change these values.

In this case, if a host sends a VOUT_MODE command for a write to a PMBus device, the device shall reject the VOUT_MODE command, declare a communication fault for invalid data, and respond as described in PMBus Revision 1.2 specification part ii section 10.2.2.



If a device accepts the VOUT_MODE command, the Mode and Parameter are retained until changed with another VOUT_MODE command or until the bias power is removed.

Sending the VOUT_MODE command using the SMBus Read Byte protocol returns one byte with the Mode and Parameter as shown in Figure 5.

The table below shows the permitted values and format of the VOUT_MODE data byte.

More information on the VOUT_MODE command is used with output voltage related commands is given below in Section 8.3.

Mode	Bits [7:5]	Bits [4:0] (Parameter)
Linear	000b	Five bit two's complement exponent for the mantissa delivered as the data bytes for an output voltage related command.

11.7. Data bytes for output voltage commands

There are several commands that either set or adjust the output voltage, or a related parameter, of a device that supports the PMBus protocol.

Examples VOUT_COMMAND which causes the device to set its output voltage to the commanded value;

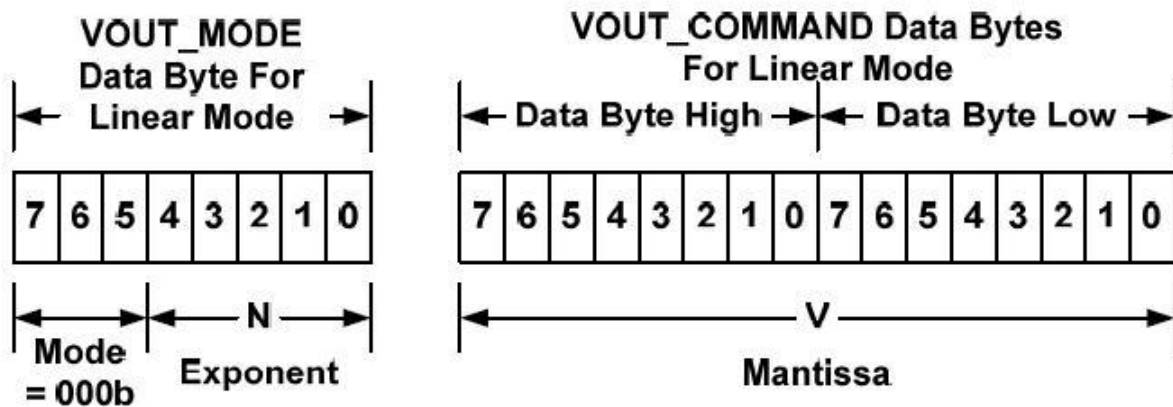
All output voltage related commands use two data bytes.

The contents of those data bytes depend on the voltage data format in use (set by the VOUT_MODE command) and are described below.



Linear Mode:

The data bytes for the VOUT_MODE and VOUT_COMMAND when using the Linear voltage data format are shown in Figure 6. Note that the VOUT_MODE command is sent separately from output voltage related commands and only when the output voltage format changes. VOUT_MODE is not sent every time an output voltage command is sent.



The Mode bits are set to 000b.

The Voltage, in volts, is calculated from the equation:

Voltage= $V \cdot 2^N$ Where, as described above:

Voltage is the parameter of interest;

V is a 16 bit unsigned binary integer; and

N is a 5 bit two's complement binary integer.



SURE STAR COMPUTER CO., LTD 添誠資訊股份有限公司
http://www.surestar.com.tw Tel:+886 2 2682 2505
E-mail:info@surestar.com.tw Fax:+886 2 2682 2515
NO.2-1, DAAN ROAD, SHULIN .DIST., NEW TAIPEI CITY 238, TAIWAN

11.8. Example Data

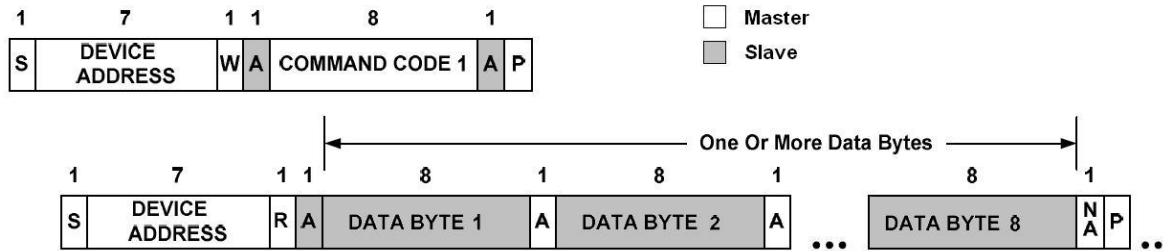
<i>Command code</i>	<i>Command Name</i>	<i>Value Example</i>	<i>Meaning</i>
19H	CAPABILITY	20H	
1AH	QUERY	B0H	
20H	VOUT_MODE	1CH	N= -4
88H	READ_ACV_IN	00H,DCH	220V
89H	READ_ACI_IN	E0H,07H	0.4375 A
8BH	READ_VOUT	0CH,10H	12.06V
8CH	READ_IOUT	DBH,02H	44.03A
8DH	READ_TEMPERATURE_1	00H,22H	34°C
90H	READ_FAN_SPEED_1	30H,FEH	16256 rpm
91H	READ_FAN_SPEED_2	00H,00H	Reserved
96H	READ_POUT	F8H,65H	537.25 W
97H	READ_PIN	FCH,A8H	696.00 W
98H	PMBus_REVISION	22H	PMBus 1.2

Note 1: Data byte type ASCII Code or HEX Code.

Note 2: The reading accuracy is within $\pm 5\%$.



11.9. PMBus command protocol



Command Protocol Without PEC

Figure 8.2.3-1

PMBus command protocol for the two steps (Figure 8.2.3-1). The first step is master device sends Device Address and Command Code1 to slave device.

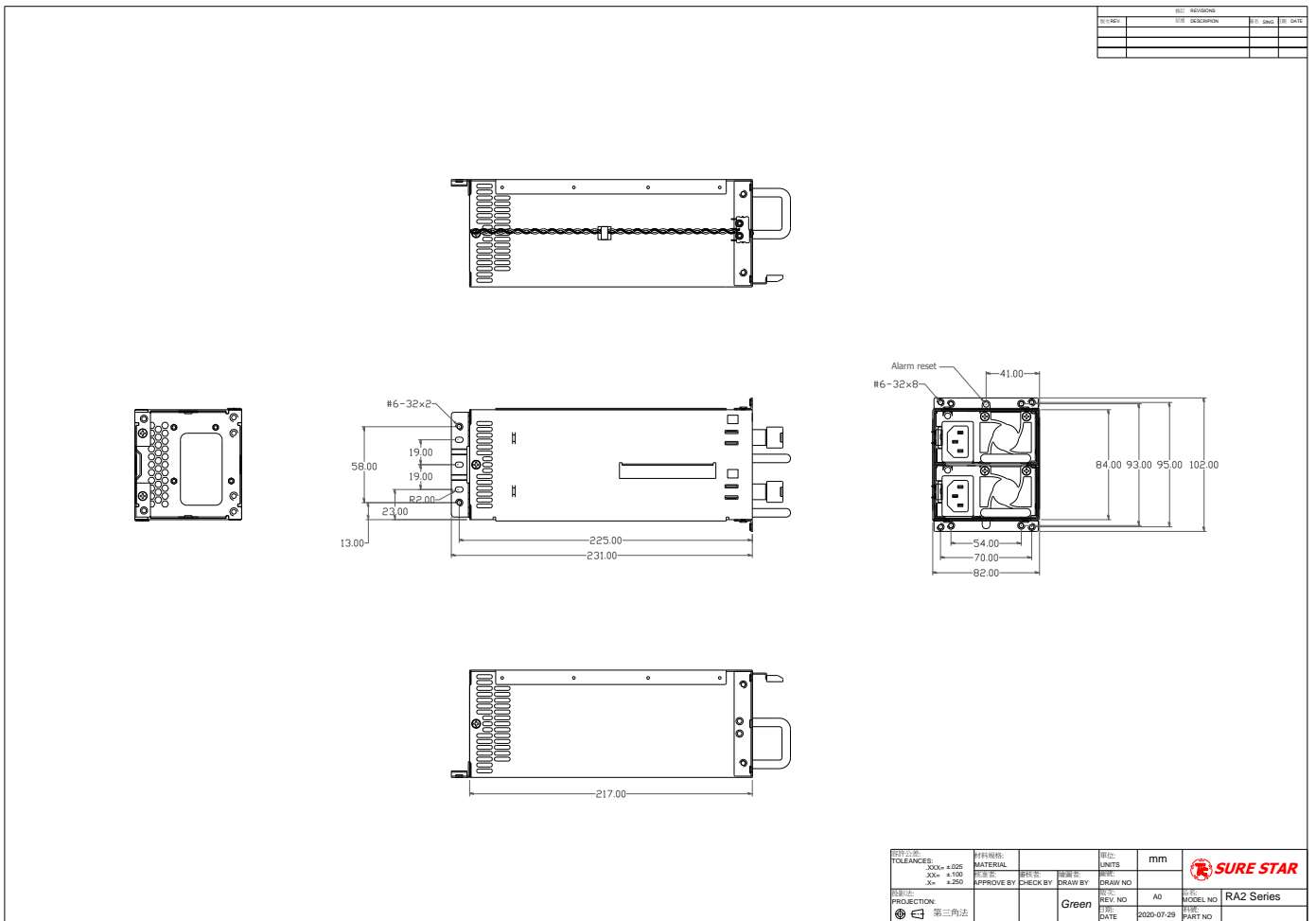
The Command Code 1 is set what kind data will receive on master device.

The second step is the master device will receive one or more DATA BYTE coming slave device.



12. Mechanical Drawing and Output Wire

12.1. Outline (bracket optional) : W82 * H84 * D217mm.





SURE STAR COMPUTER CO., LTD 添誠資訊股份有限公司

http://www.surestar.com.tw Tel:+886 2 2682 2505

E-mail:info@surestar.com.tw Fax:+886 2 2682 2515

NO.2-1, DAAN ROAD, SHULIN .DIST., NEW TAIPEI CITY 238, TAIWAN

12.2. Output Wire (could be customization) :

4Pin(DC) (ROM/RW) P4H1-P4H3 P4H6-P4H7
 HOUSING : MOLEX 8980 series or equivalent
 TERMINAL : MOLEX 8981 series or equivalent
4Pin(FLOPPY DISK) P4H4
 HOUSING : AMP 171822 series or equivalent
 TERMINAL : AMP 170202 series or equivalent

Housing	PIN No.	WIRE COLOR	SIGNAL	WIRE SIZE	LENGTH
P4H1	1	BLACK	+12V	18AWG	500mm ±20mm
	2	BLACK/BLACK	COM	18AWG	
	3	BLACK/BLACK	COM	18AWG	
	4	RED/RED	+5V	18AWG	
P4H2	1	YELLOW	+12V	18AWG	150mm ±15mm
	2	BLACK/BLACK	COM	18AWG	
	3	BLACK/BLACK	COM	18AWG	
	4	RED/RED	+5V	18AWG	
P4H3	1	YELLOW	+12V	18AWG	150mm ±15mm
	2	BLACK/BLACK	COM	18AWG	
	3	BLACK/BLACK	COM	18AWG	
P4H4	1	YELLOW	+12V	24AWG	150mm ±15mm
	2	BLACK	COM	24AWG	
	3	BLACK	COM	24AWG	
	4	RED	+5V	24AWG	
P4H5	1	YELLOW	+12V	18AWG	500mm ±20mm
	2	BLACK/BLACK	COM	18AWG	
	3	BLACK/BLACK	COM	18AWG	
	4	RED/RED	+5V	18AWG	
P4H6	1	YELLOW	+12V	18AWG	150mm ±15mm
	2	BLACK/BLACK	COM	18AWG	
	3	BLACK/BLACK	COM	18AWG	
	4	RED/RED	+5V	18AWG	
P4H7	1	YELLOW	+12V	18AWG	150mm ±15mm
	2	BLACK	COM	18AWG	
	3	BLACK	COM	18AWG	
	4	RED	+5V	18AWG	

SATA HDD
 HOUSING : MOLEX 67582 series or equivalent
 TERMINAL : MOLEX 67581 series or equivalent

Housing	No.	WIRE COLOR	SIGNAL	WIRE TYPE	LENGTH
S1	1	ORANGE	+3.3V	18AWG	500mm ±20mm
	2	BLACK	COM	18AWG	
	3	RED/RED	+5V	18AWG	
	4	BLACK	COM	18AWG	
S2	1	ORANGE	+3.3V	18AWG	150mm ±15mm
	2	BLACK	COM	18AWG	
	3	RED/RED	+5V	18AWG	
	4	BLACK	COM	18AWG	
S3	1	ORANGE	+3.3V	18AWG	150mm ±15mm
	2	BLACK	COM	18AWG	
	3	RED	+5V	18AWG	
	4	BLACK	COM	18AWG	

PMBUS
 HOUSING : MOLEX 70066 series of version G or equivalent

Housing	PIN	COLOR	WIRE TYPE	LENGTH
PMBUS	1	YELLOW	24AWG	±50mm ±30mm
	2	GREEN	24AWG	±50mm ±30mm
	3	N/C		
	4	BLACK	24AWG	±50mm ±30mm
	5	ORANGE	24AWG	±50mm ±30mm

20+4Pins(PS12V)
 HOUSING : MOLEX 5557 series or equivalent
 TERMINAL : MOLEX 5556 series or equivalent

Housing	PIN No.	WIRE COLOR	SIGNAL	WIRE TYPE	LENGTH
P24	1	ORANGE(+3V)	ORANGE(+3V)	20mm±18AWG	±50mm±18AWG
	2	ORANGE(+3V)	ORANGE(+3V)	14	20mm±18AWG
	3	BLACK(GND)	BLACK(GND)	15	±50mm±18AWG
	4	RED(+5V)	RED(+5V)	16	±50mm±18AWG
	5	BLACK(GND)	BLACK(GND)	17	±50mm±18AWG
	6	RED(+5V)	RED(+5V)	18	±50mm±18AWG
	7	BLACK(GND)	BLACK(GND)	19	±50mm±18AWG
	8	GREEN(P5V)	GREEN(P5V)	20	±50mm±18AWG
	9	RED(+5V)	RED(+5V)	21	±50mm±18AWG
	10	YELLOW(+12V)	YELLOW(+12V)	22	±50mm±18AWG
	11	YELLOW(+12V)	YELLOW(+12V)	23	±50mm±18AWG
	12	BLACK(GND)	BLACK(GND)	24	±50mm±18AWG

4Pins+4Pins(AT12V FOR P4)
 HOUSING : MOLEX 5557 series or equivalent
 TERMINAL : MOLEX 5556 series or equivalent

Housing	PIN No.	WIRE COLOR	SIGNAL	WIRE TYPE	LENGTH
P4A	1	BLACK	COM	18AWG	500mm±20mm
	2	BLACK	COM	18AWG	
	3	YELLOW	+12V	18AWG	
	4	YELLOW	+12V	18AWG	
P4B	1	BLACK	COM	18AWG	500mm±20mm
	2	BLACK	COM	18AWG	
	3	YELLOW	+12V	18AWG	
	4	YELLOW	+12V	18AWG	

2+2Pins(PQ Express)
 HOUSING : MOLEX 45559 series or equivalent
 TERMINAL : MOLEX 45558 series or equivalent

Housing	PIN No.	WIRE COLOR	SIGNAL	WIRE TYPE	LENGTH
P6	1	BLACK	COM	18AWG	500mm±20mm
	2	BLACK	COM	18AWG	
	3	YELLOW	+12V	18AWG	
	4	YELLOW	+12V	18AWG	
	5	BLACK	COM	18AWG	
	6	BLACK/BLACK	COM	18AWG	

P2
 HOUSING : MOLEX 22-01-3027 or equivalent

Housing	PIN No.	WIRE COLOR	WIRE TYPE	LENGTH
P2	1	BLACK	24AWG	±75mm ±30mm
	2	ORANGE	24AWG	±75mm ±30mm

P6
 HOUSING : MOLEX 22-01-3027 or equivalent

Housing	PIN No.	WIRE COLOR	WIRE TYPE	LENGTH
P6	1	BLACK	29AWG	±100mm ±15mm
	2	BLACK	29AWG	±100mm ±15mm

PW1
 HOUSING : MOLEX 22-01-3027 or equivalent

Housing	PIN No.	WIRE COLOR	WIRE TYPE	LENGTH
PW1	1	BLACK	24AWG	±75mm ±30mm
	2	YELLOW	24AWG	±75mm ±30mm

PW2
 HOUSING : MOLEX 22-01-3027 or equivalent

Housing	PIN No.	WIRE COLOR	WIRE TYPE	LENGTH
PW2	1	BLACK	24AWG	±75mm ±30mm
	2	YELLOW	24AWG	±75mm ±30mm

VERSIONS

VER	DESCRIPTION	SIGN	DATE

APP'D TOLERANCE XXXX
DESIGN MATERIAL XXX
FORM CHECK BY XXX
DATE XXXX/XX/XX
VERSION A0
DATE 2021/11/01
ACCEL NO. WireOut_RA2+RB2
PART NO. STD

SURE STAR

Wayton



SURE STAR COMPUTER CO., LTD 添誠資訊股份有限公司
<http://www.surestar.com.tw> Tel:+886 2 2682 2505
E-mail:info@surestar.com.tw Fax:+886 2 2682 2515
NO.2-1, DAAN ROAD, SHULIN .DIST., NEW TAIPEI CITY 238, TAIWAN

13. Customization Note

Customization note shall be listed here.

End of File

NOTE : This data is subject to change without notice.